

Note! If no coordinator and control units turned 180°, min. CL=1544.

With coordinator and control units turned 180°, min. CL= 1614.

STATE WHEN ORDERING

Surface treatment

- Silver anodized
- Special anodized
- RAL
- Special powder coating

Cover end plates

- BK
- SI

- Basic
- Fire door
- Connection box
- Connection plug

Options see layers:

- Cover Modular, CL = mm
- Cover Full length, CL = mm
- R = mm
- S = mm

If R and S are set to "0", no cutouts will be made.

- $\varnothing 1$ = Hinges
- $\varnothing 2$ = Operator drive shaft
- A = Reveal -20mm to 130mm
- 1 = Cable inlet
- 2 = Reinforcements required

Z	Shaft extension
48	0
68	20
98	50
118	70

Customer: _____

Door id: _____

Project No: _____

Ref: _____

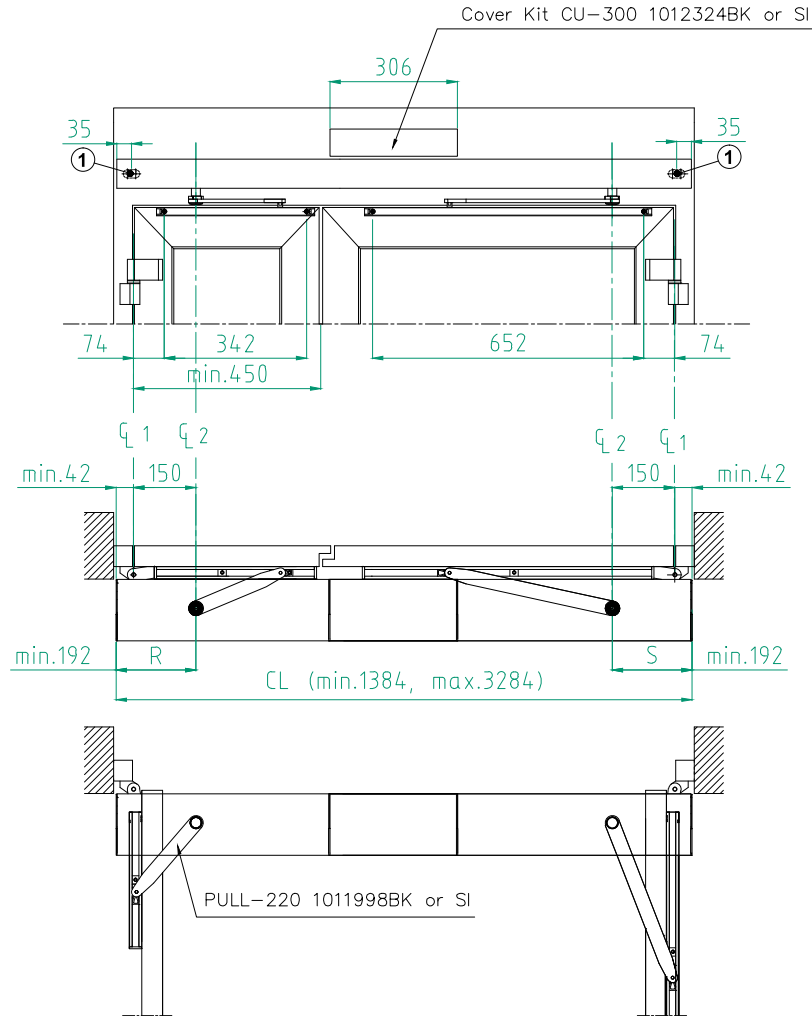
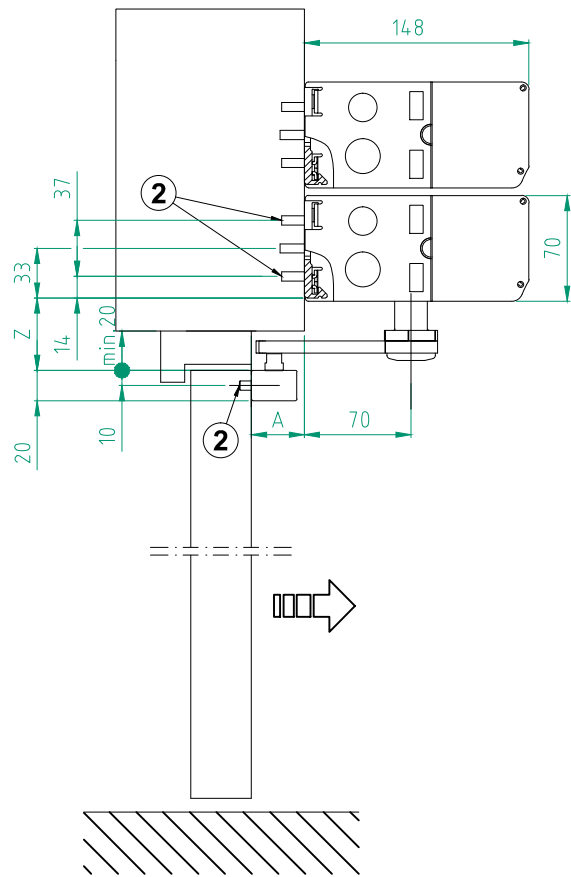
Date: _____

Sign: _____

Swing door operator
 ASSA ABLOY SW300-2(Art. No. 1009172)
 ASSA ABLOY SW150-2(Art. No. 1009173)
 PULL

ASSA ABLOY

17.0 1009172-en



STATE WHEN ORDERING

Surface treatment

- Silver anodized
- Special anodized
- RAL
- Special powder coating
-

Cover end plates

- BK
- SI

- Basic
- Fire door
- Connection box
- Connection plug

CL = mm
 R = mm
 S = mm
 If R and S are set to "0", no cutouts will be made.

- ⌀ 1 = Hinges
- ⌀ 2 = Operator drive shaft
- A = Reveal -20mm to 65mm
- 1 = Cable inlet
- 2 = Reinforcements required

Z	Shaft extension
48	0
68	20
98	50
118	70

Customer: _____

Door id: _____

Project No: _____

Ref: _____

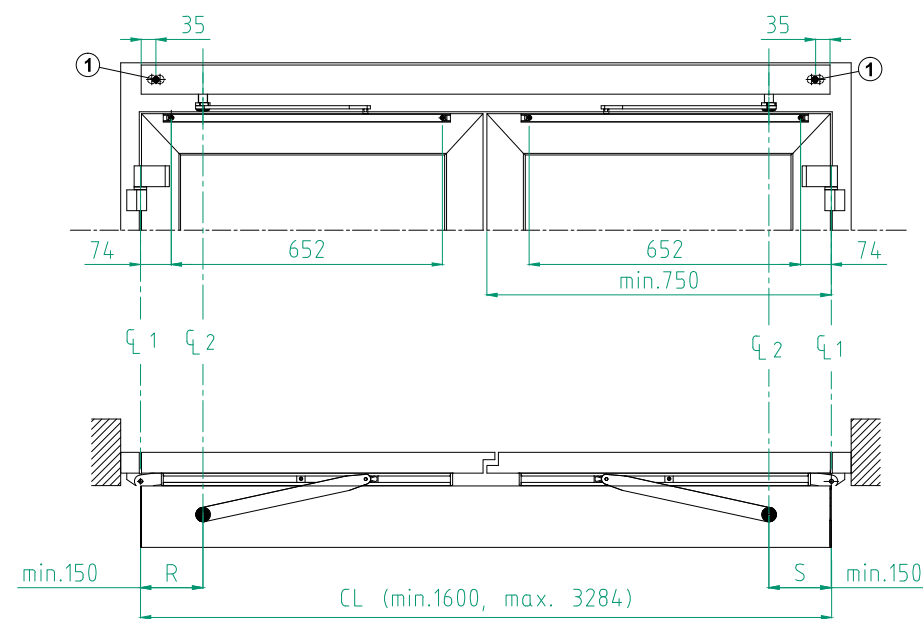
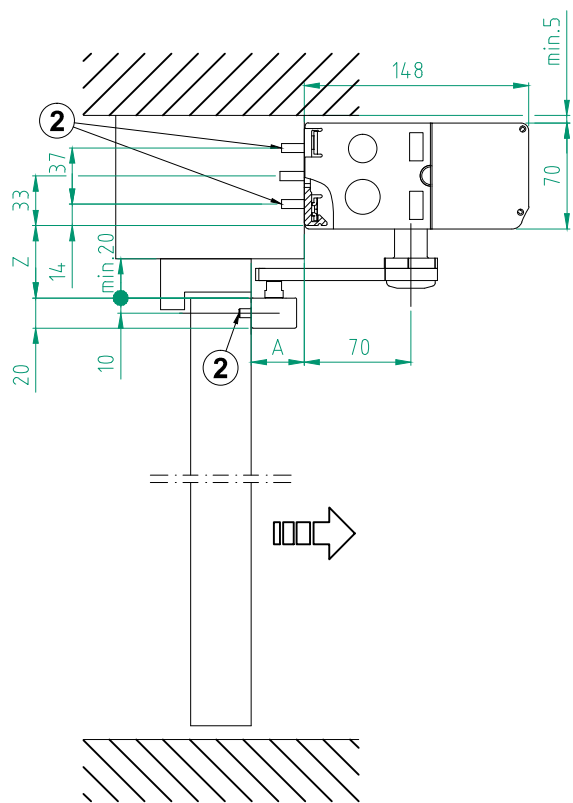
Date: _____

Sign: _____

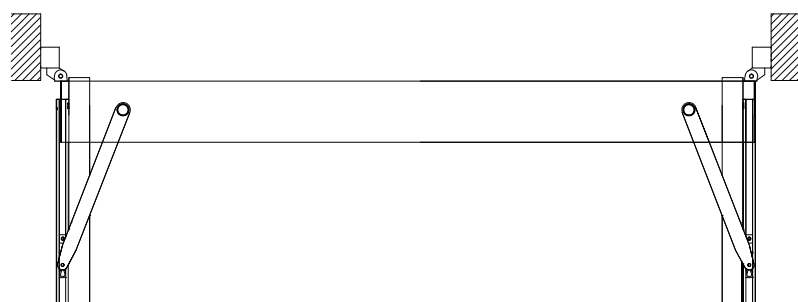
Swing door operator
 ASSA ABLOY SW300-2(Art. No. 1009172)
 ASSA ABLOY SW150-2(Art. No. 1009173)
 PULL Narrow Door

ASSA ABLOY

17.0 1009172-en



Note! If no coordinator and control units turned 180°, min. CL=1460.
 With coordinator and control units turned 180°, min. CL= 1530.



STATE WHEN ORDERING

- Surface treatment
 Silver anodized
 Special anodized
 RAL
 Special powder coating

Cover end plates

- BK
 SI

 Basic
 Fire door
 Connection box
 Connection plug

CL = mm
 R = mm
 S = mm
 If R and S are set to "0", no cutouts will be made.
 Note! No space for battery if R/S<192

- 1 = Hinges
 2 = Operator drive shaft
 A = Reveal -20mm to 130mm
 1 = Cable inlet
 2 = Reinforcements required

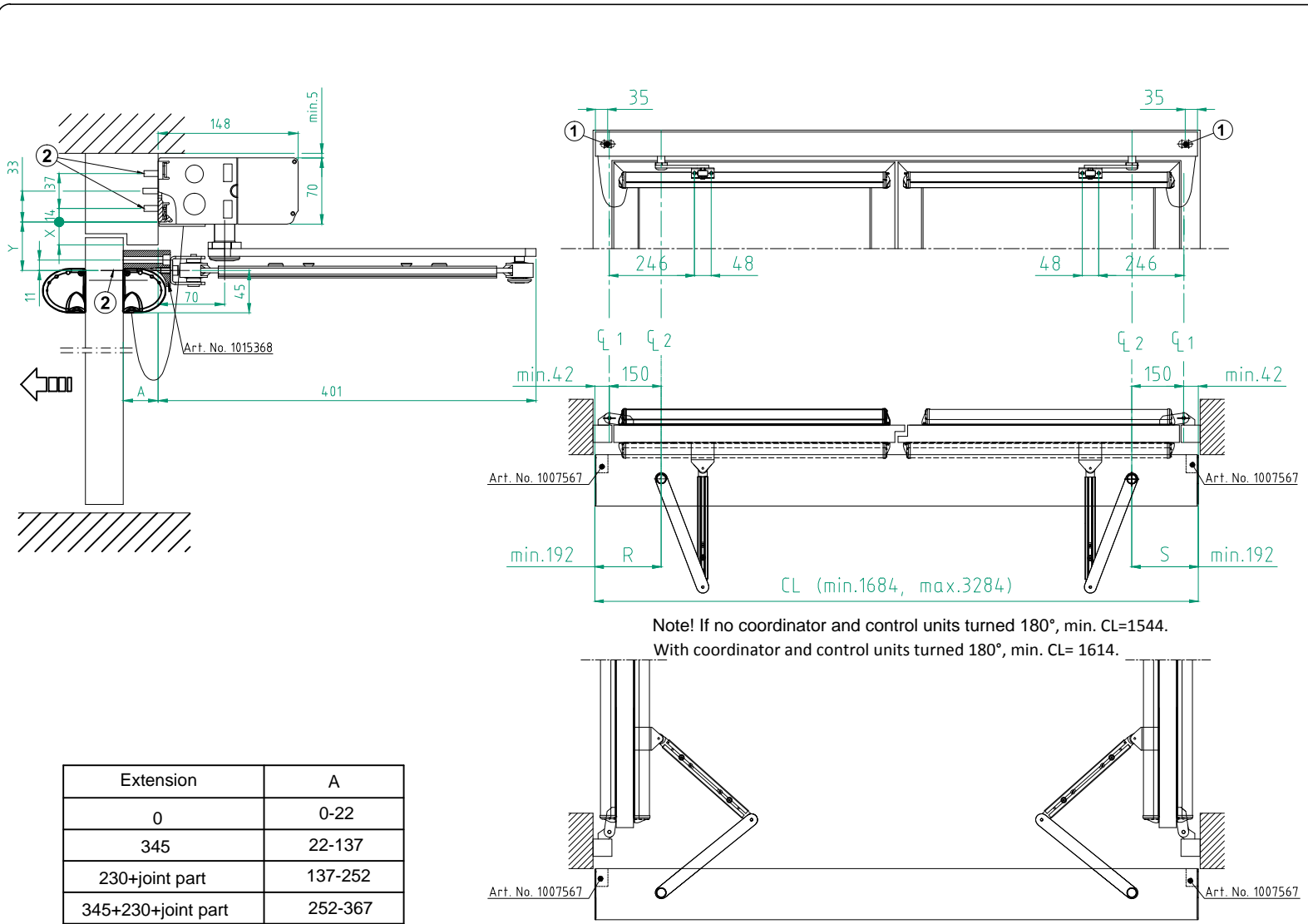
Z	Shaft extension
48	0
68	20
98	50
118	70

Customer: _____
 Door id: _____
 Project No: _____

Ref: _____
 Date: _____
 Sign: _____

Swing door operator
 ASSA ABLOY SW300-2(Art. No. 1009172)
 ASSA ABLOY SW150-2(Art. No. 1009173)
 PULL with shorty cover





Note! If no coordinator and control units turned 180°, min. CL=1544.
With coordinator and control units turned 180°, min. CL= 1614.

Extension	A
0	0-22
345	22-137
230+joint part	137-252
345+230+joint part	252-367

STATE WHEN ORDERING

- Surface treatment**
- Silver anodized
 - Special anodized
 - RAL
 - Special powder coating

- Cover end plates**
- BK
 - SI

- Basic
- Fire door
- Connection box
- Connection plug

- Options see layers:**
- Cover Modular, CL = mm
 - Cover Full length, CL = mm
 - R = mm
 - S = mm
- If R and S are set to "0", no cutouts will be made.

- C1 = Hinges
- C2 = Operator drive shaft

- 1 = Cable inlet
- 2 = Reinforcements required

X	Y	Shaft extension
2-25	51	0
25-45	71	20
45-75	101	50
75-95	121	70

Customer: _____

Door id: _____

Project No: _____

Ref: _____

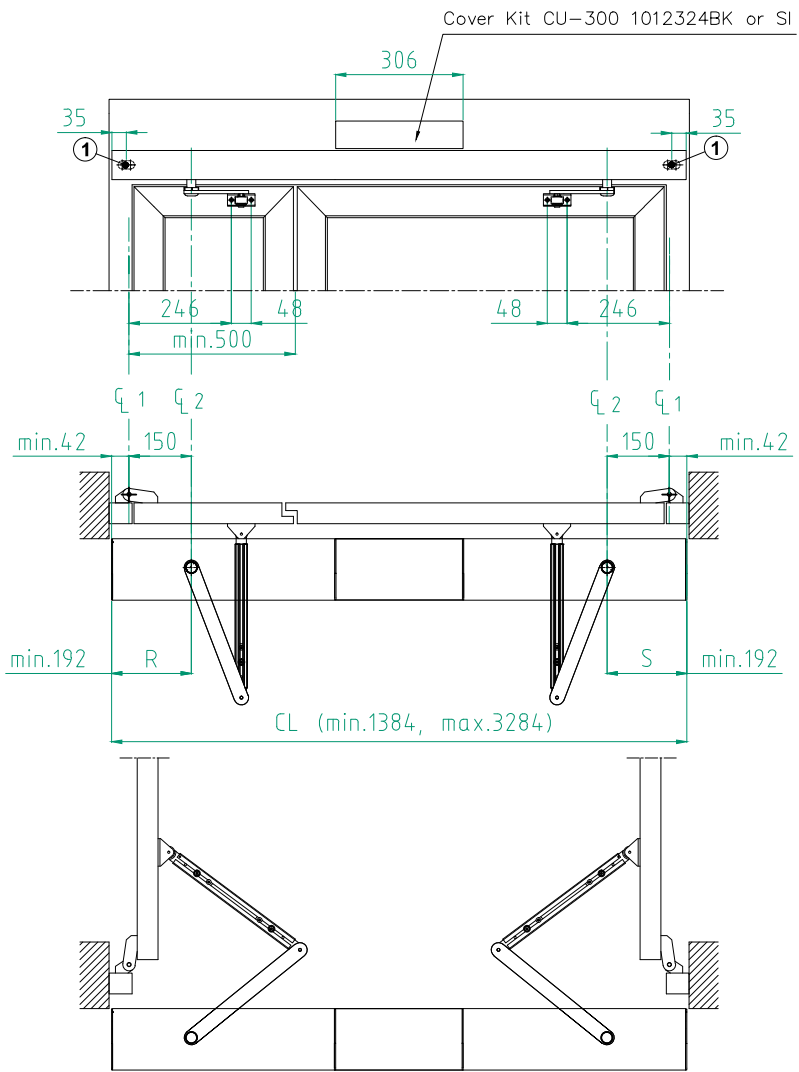
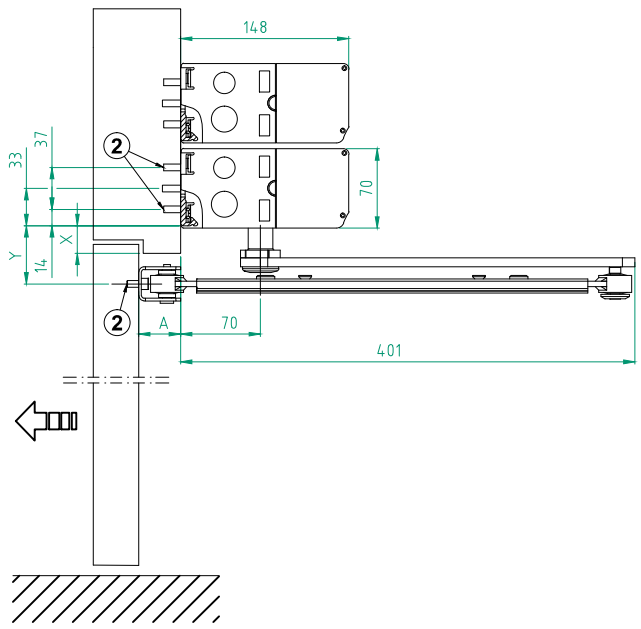
Date: _____

Sign: _____

Swing door operator
ASSA ABLOY SW300-2(Art. No. 1009172)
ASSA ABLOY SW150-2(Art. No. 1009173)
PUSH

ASSA ABLOY

17.0 1009172-en



STATE WHEN ORDERING

- Surface treatment**
 Silver anodized
 Special anodized
 RAL
 Special powder coating

Cover end plates

- BK
 SI

 Basic
 Fire door
 Connection box
 Connection plug

CL = mm
 R = mm
 S = mm
 If R and S are set to "0", no cutouts will be made.

- ⌀ 1 = Hinges
 ⌀ 2 = Operator drive shaft
 A = Reveal 0mm to 22mm, optional 300mm
 1 = Cable inlet
 2 = Reinforcements required

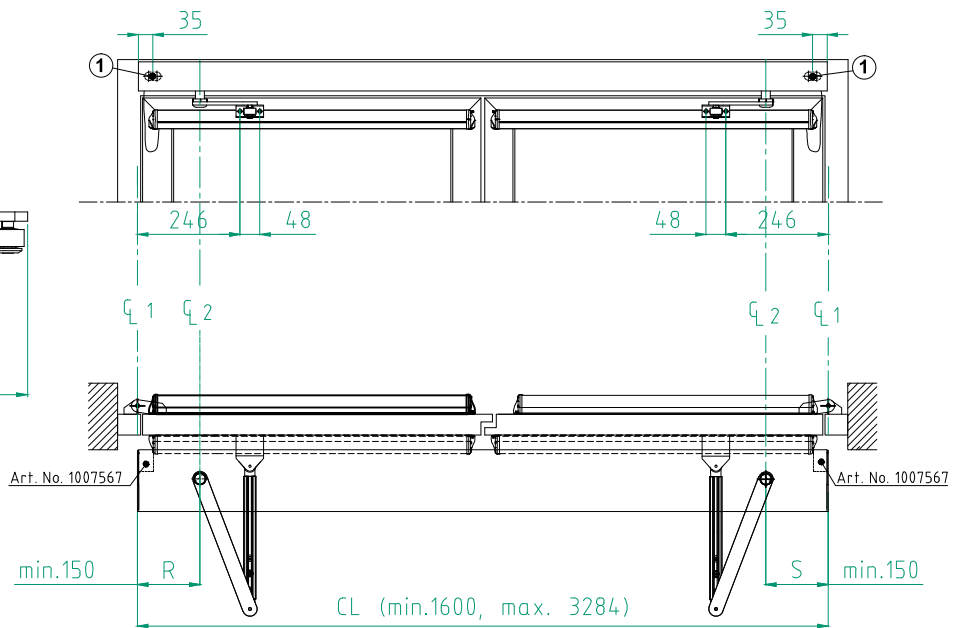
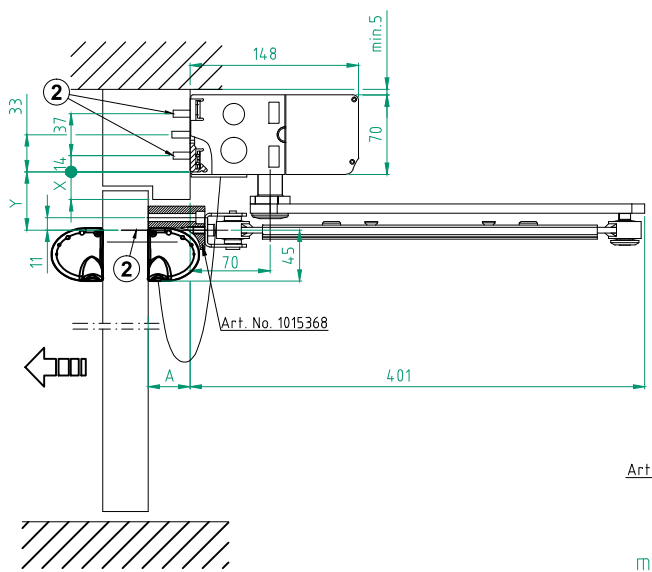
X	Y	Shaft extension
2-25	51	0
25-45	71	20
45-75	101	50
75-95	121	70

Customer: _____
 Door id: _____
 Project No: _____

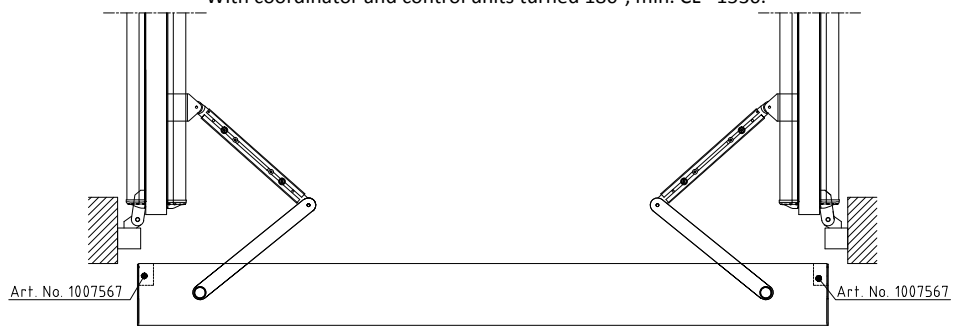
Ref: _____
 Date: _____
 Sign: _____

Swing door operator
 ASSA ABLOY SW300-2(Art. No. 1009172)
 ASSA ABLOY SW150-2(Art. No. 1009173)
 PUSH Narrow Door

ASSA ABLOY
 17.0 1009172-en



Note! If no coordinator and control units turned 180°, min. CL=1460.
With coordinator and control units turned 180°, min. CL= 1530.



Extension	A
0	0-22
345	22-137
230+joint part	137-252
345+230+joint part	252-367

STATE WHEN ORDERING

- Surface treatment**
 Silver anodized
 Special anodized
 RAL
 Special powder coating

- Cover end plates**
 BK
 SI

- Basic
 Fire door
 Connection box
 Connection plug

CL = mm
 R = mm
 S = mm
 If R and S are set to "0", no cutouts will be made.
 Note! No space for battery if R/S<192

C1 = Hinges
 C2 = Operator drive shaft

- 1 = Cable inlet
 2 = Reinforcements required

X	Y	Shaft extension
2-25	51	0
25-45	71	20
45-75	101	50
75-95	121	70

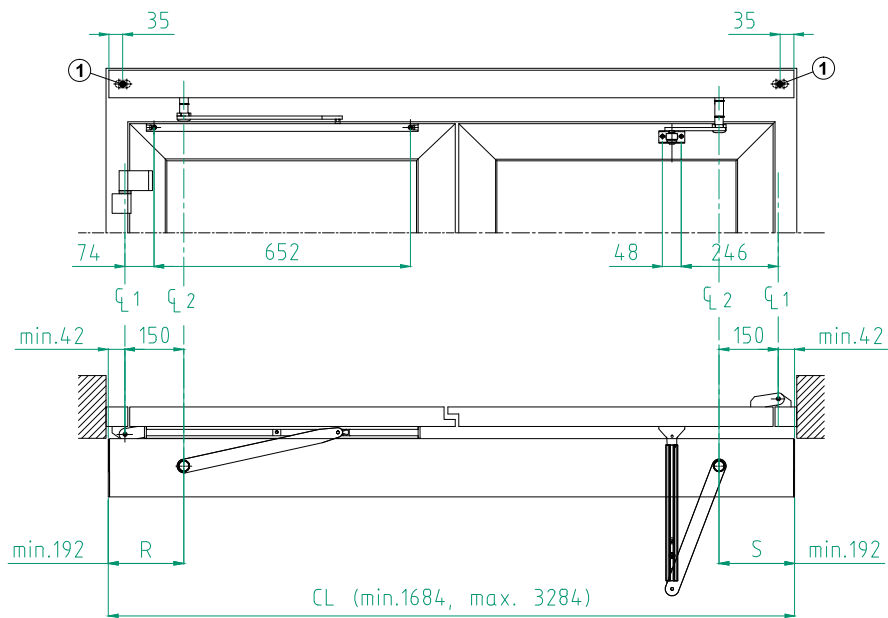
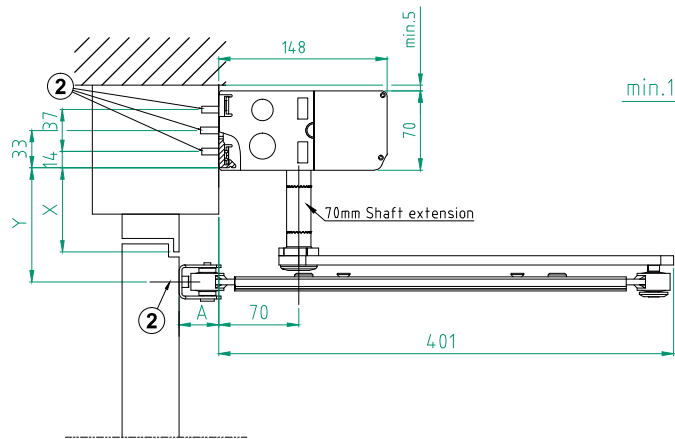
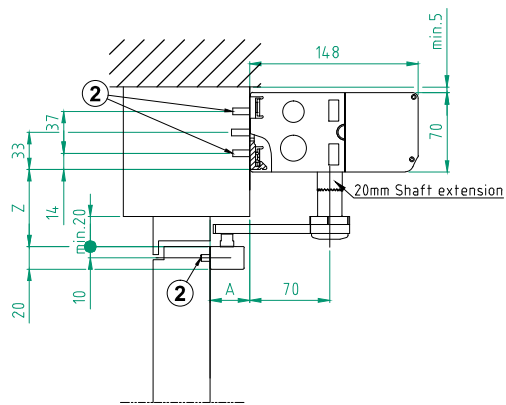
Customer: _____
 Door id: _____
 Project No: _____

Ref: _____
 Date: _____
 Sign: _____

Swing door operator
 ASSA ABLOY SW300-2(Art. No. 1009172)
 ASSA ABLOY SW150-2(Art. No. 1009172)
 PUSH with shorty cover

ASSA ABLOY

17.0 1009172-en



Note! If control units are turned 180°, min. CL=1544

STATE WHEN ORDERING

Surface treatment

- Silver anodized
- Special anodized
- RAL
- Special powder coating
-

Cover end plates

- BK
- SI
- Basic
- Fire door
- Connection box
- Connection plug

Options see layers:

- Cover Modular, CL = mm
- Cover Full length, CL = mm
- R = mm
- S = mm

If R and S are set to "0", no cutouts will be made.

- ∅ 1 = Hinges
- ∅ 2 = Operator drive shaft
- A = Reveal 0mm to 22mm, optional 130mm
- 1 = Cable inlet
- 2 = Reinforcements required

Z	Pull Shaft extension
48	0
68	20

X	Y	Push Shaft extension
45-75	101	50
75-95	121	70

Customer: _____

Door id: _____

Project No: _____

Ref: _____

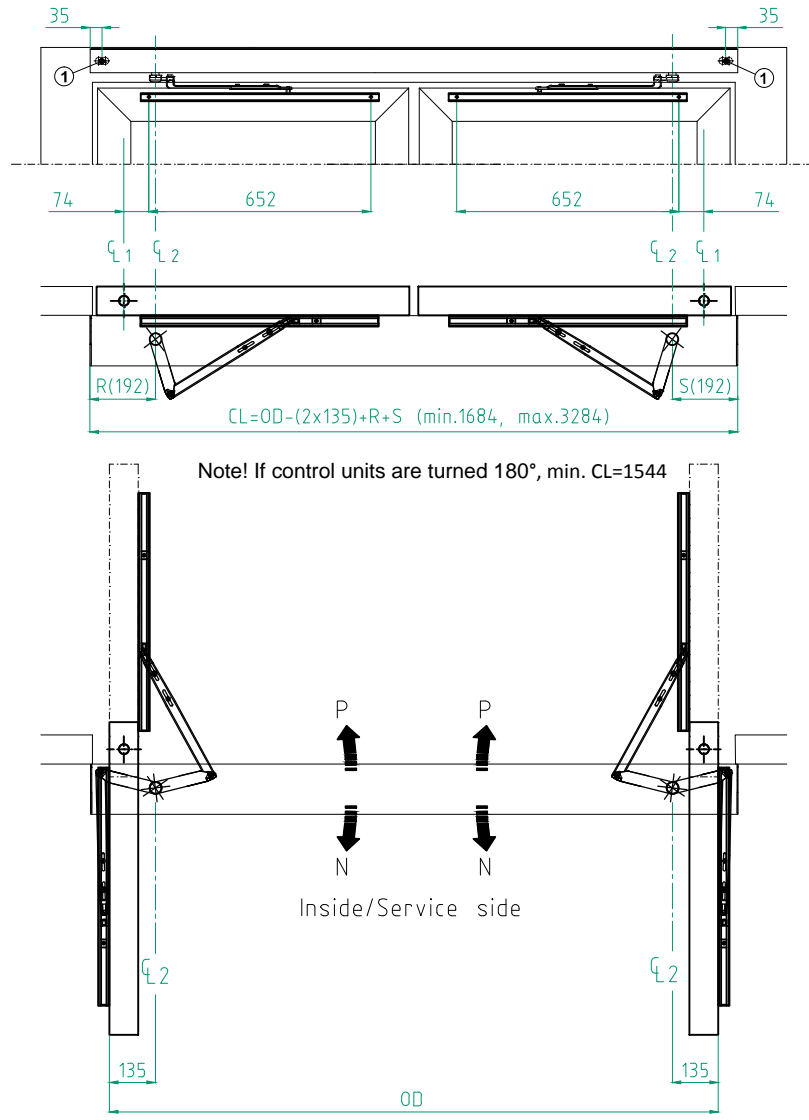
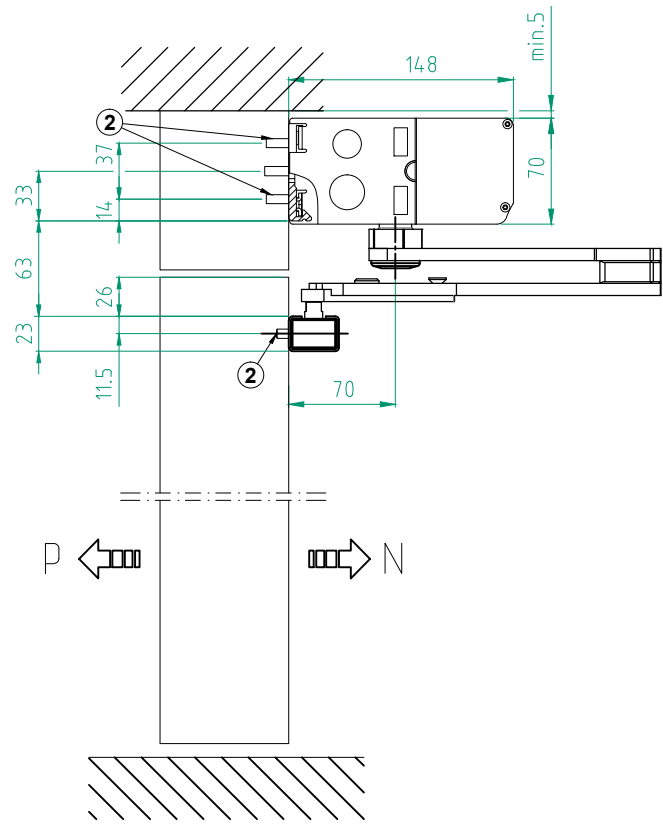
Date: _____

Sign: _____

Swing door operator
 ASSA ABLOY SW300-2(Art. No. 1009172)
 ASSA ABLOY SW150-2(Art. No. 1009173)
PULL+PUSH

ASSA ABLOY

17.0 1009172-en



STATE WHEN ORDERING

Surface treatment

- Silver anodized
- Special anodized
- RAL
- Special powder coating
-

Cover end plates

- BK
- SI

- Basic
- Fire door
- Connection box
- Connection plug

OD = mm
 CL = mm
 If R and S are set to "0", no cutouts will be made.

- ⊕1 Pivot point
- ⊕2 Operator drive shaft
- 1 Cable inlet
- 2 Reinforcements required
- OD Outside doors
- N Normal opening direction
- P Escape opening direction

Customer: _____

Door id: _____

Project No: _____

Ref: _____

Date: _____

Sign: _____

Swing door operator
ASSA ABLOY SW300 DA-2
Arm system Double Acting

ASSA ABLOY

17.0 1009172-en